

# MAX Power



## MAX POWER Diesel Generator Set

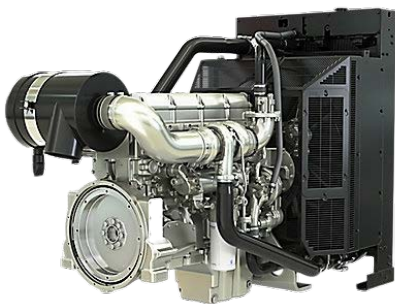
**Diesel Generator set:** A durable, high-quality diesel Genset designed for reliable power generation across various needs. It offers optional features such as soundproof canopies for quiet operation, making it suitable for both standby and continuous use in noise-sensitive areas.

### General Specifications

Generating Set Model	Output Ratings	Electrical Output			
		Prime		Standby	
		KW	KVA	KW	KVA
MAX400	50 Hz, 1500 RPM	320	400	360	450


## Engine


### Standard Specifications





Engine	Perkins
Model	2206A-E13TAG3
Aspiration	Turbocharged, Air to Air Aftercooler
Governor	Electronic
Silencer	Industrial
Number Of Cylinders	6 Vertical In-Line
Bore And stroke	130X157 mm
Displacement	12.5 Liters
Cycle	4 Stroke
Fuel System	Direct Injection
Compression Ratio	16.30:1
Rotation	Anti-Clockwise viewed on fly wheel
Total Oil Capacity	40 Liters
Cooling System	Water Cooled
Total Coolant Capacity	51.4 Liters

MAX Engineering FZCO

 Jafza, Jebel Ali, UAE

 +971 52 950 9863

 info@maxengineering.ae

 www.maxengineering.ae

# ALTERNATOR

## Standard Specifications

Alternator	LEROY SOMER
Model	TAL 047A
Number Of Bearings	1
Insulation Class	H
Protection Class	IP 23
Winding Pitch	2/3
Excitation System	12 Wires Shunt
Number Of Poles	4
Voltage	240 L-N, 415 L-L
No Of Phases	3
Rated Power Factor	0.8
Voltage Regulation	+/-1.0%
Over Speed	2250 PRM



**LEROY**<sup>TM</sup>  
**SOMER**

## Control System

### Panel Equipment

**Controller:** Deep Sea DSE6120 MK III  
**Emergency Stop:** Push Button  
**Circuit breaker:** MCCB/ MCB  
**Start Switch:** Off/On



### Display

**Voltage:** (L-L / L-N) Volt  
**Current:** (L1, L2, L3) Ampere  
**Frequency:** Hz  
**Power Output:** kVA, Kw  
**Engine Temperature:** °C & °F  
**Oil pressure:** PSI & Bar  
**Battery:** DC Voltage  
**Charging:** DC Voltage  
**Reactive Power:** KVAr  
**Engine Running:** Hours  
**LCD display:** 132 x 64 mm

### Protection

**High engine temperature**  
**Low Oil Pressure**  
**Over Current**  
**Over / Under frequency**  
**Over / Under voltage**  
**Battery charging failure**  
**Start and Stop Failure**  
**Emergency stop**  
**Low and High Battery Voltage**  
**Unbalanced load**

### Control

**Control Genset**  
**Start / Stop / Reset**  
**Manual Operation Mode**  
**Auto Operation Mode**  
**Test Mode**  
**Alarm / Mute**

MAX Engineering FZCO



Jafza, Jebel Ali, UAE



+971 52 950 9863



info@maxengineering.ae



www.maxengineering.ae

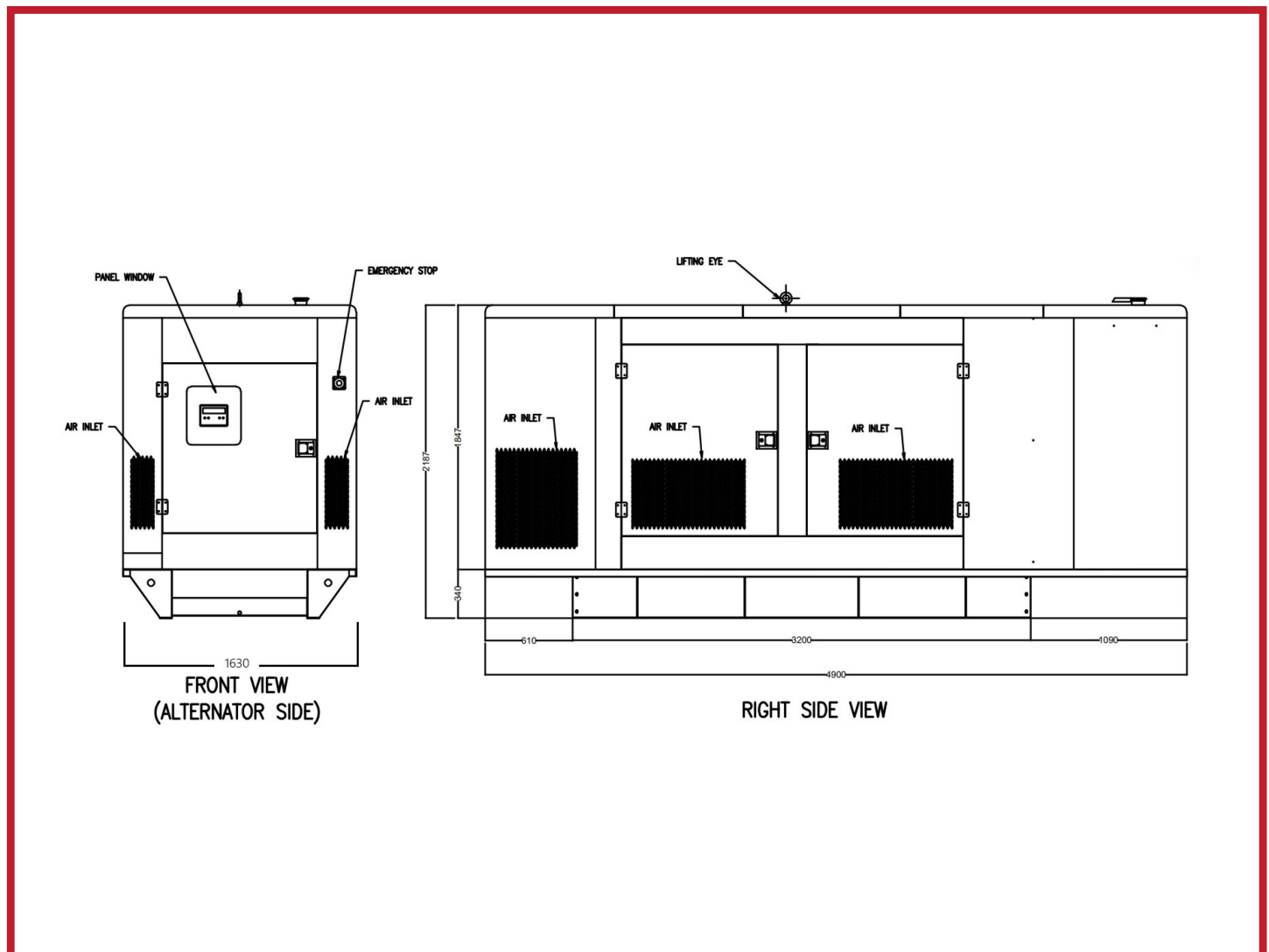
## Fuel Consumption

Fuel Consumption at 50% Load	42 (L/Hr)
Fuel Consumption at 75% Load	62 (L/Hr)
Fuel Consumption at 100% Load	81 (L/Hr)

## Dimensions

Type	Dimensions (mm)			Genset Weight	Fuel Tank
	Length	Width	Hight	KG	Liter
Open Set	3300	1120	2100	3510	540
Soundproof	4900	1630	2187	4800	540

Sound pressure level at 7 meters 69 DBA



# MAX Power Generating Sets Standards

MAX Gensets are engineered for efficient operation in harsh environments and desert conditions, with optimized ventilation for large spaces using CFD (Computational Fluid Dynamics) analysis. Each unit is rated in accordance with ISO 8528-1 standard conditions and complies with international standards, including BS5514 and ISO 3046 for diesel engine testing, as well as BS EN60034, BS 5000, VDE 0530, NEMA MG1-22, IEC 34, CSAC22.2-100, and AS 1359 for alternators.

**Prime Power** Ratings refer to supplying electric power with up to 10% overload capability available for 1 hour out of every 12 hours.

**Standby Power** Ratings apply when providing electricity during a power failure, and do not offer overload capability for these ratings.

## **Competitive edge :**

Our canopy is designed for durability, performance, and ease of maintenance. It features an environment-resistant powder paint coating for long-lasting protection. All metal sheet bends are precisely formed using advanced CNC machinery, ensuring high structural integrity. The use of low-density foam enhances sound attenuation and helps maintain low internal temperatures.

The canopy design is based on detailed calculations and simulations for optimal efficiency. It also incorporates a reliable clamping and bolt system, making the canopy easily serviceable and user-friendly.

# MAX Power

